

PROJECT: \_\_\_\_\_

SCHEDULE: \_\_\_\_\_ DATE: \_\_\_\_\_

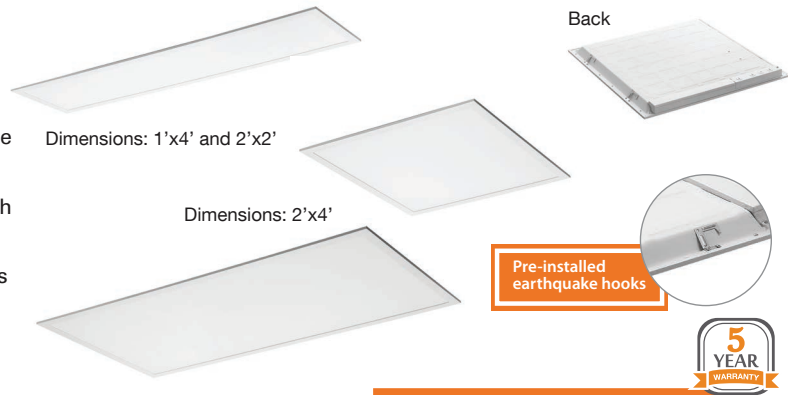
PREPARE BY: \_\_\_\_\_

NOTES: \_\_\_\_\_

## PNL FLAT PANEL CCT3

### DESCRIPTION

naturaLED® features qualified DLC Back-Lit Flat Panels (PNL), an integrated LED technology with a low profile design and CCT selectable (3500K, 4000K, 5000K) and comes with additional 12V output for your control and accessories needs. This lightweight LED provides a smooth and uniform light distribution from edge-to-edge for an even and consistent color design. Perfect solution for your interior lighting needs for offices, schools, and meeting rooms. The Back-Lit Flat Panels are easily installed with maximum energy savings; comes in standard configurations of 1'x4', 2'x2', and 2'x4' for mounting in T-Bar/Grid ceilings or optional surface mount box kit.



**Rated Life Hours 50,000**  
**Warranty 5 Years**



### APPLICATIONS

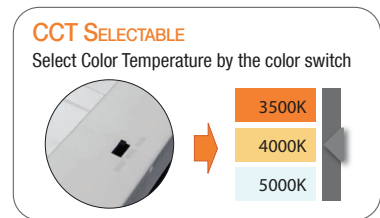
Conference room, meeting rooms, offices, schools, hospitals

### FEATURES

- DLC Standard
- Damp Location
- ETL Listed
- Selectable Color Temp 3CCT (3500K, 4000K, 5000K)
- Voltage: 120-277V / 120-347V
- Power Factor: >0.9
- Surge Protection: 2.5KV
- Beam Angle: 115°
- Dimmable: 0-10V (Dim-to-off)
- CRI: >80
- Operating temperature: - 4°F - 104°F
- Lighter weight housing for easy installation
- Uniform and consistent color from edge to edge
- 5 Year Warranty
- Optional for Purchase: Ceiling Mount Box, Flange Mount Kit, Emergency Driver

### ACCESSORIES

- Ceiling Mount Box
- Flange Mount Kit
- Emergency LED Driver + Bracket
- Earthquake Hook (Pre-installed)



## SAMPLE NUMBER FXPNL40/2X2/8CCT3/347

FAMILY	SERIES	WATTAGE	SIZE	CRI	COLOR TEMP	VOLTAGE
FX	PNL	40	2X2	8	CCT3	347
Fixture	Flat Panel Light	40 Watt	2ft x 2ft	CRI 80	Selectable 3500K, 4000K, 5000K	120-347V (none) 120-277V



# BACK-LIT FLAT PANEL CCT3

CEILING & AREA LUMINAIRES

## ORDERING

\*P= Premium DLC / \*S = Standard DLC

	Watts (W)	Ordering Code	Description	CCT (K)	Lumens (Lm)	Size	Equiv. Wattage (W)	Beam Angle	Voltage	DLC (S/P)
120-277V	50	9461	FXPNL50/2X4/8CCT3	3CCT(35/40/50K)	5,900	2'x4'	120-130	115°	120-277	S
	40	9465	FXPNL40/1X4/8CCT3/347	3CCT(35/40/50K)	4,400	1'x4'	90-100	115°	120-347	S
120-347V	40	9463	FXPNL40/2X2/8CCT3/347	3CCT(35/40/50K)	4,400	2'x2'	90-100	115°	120-347	S
	50	9464	FXPNL50/2X4/8CCT3/347	3CCT(35/40/50K)	5,500	2'x4'	120-130	115°	120-347	S

## ACCESSORIES (Ordered Separately)

### Ceiling Mount Kit (4.5" Height)



P10334 MT-1X4BOX-4.5in  
(1'x4' Panel Surface Mount Kit)



P10335 MT-2X2BOX-4.5in  
(2'x2' Panel Surface Mount Kit)



P10336 MT-2X4BOX-4.5in  
(2'x4' Panel Surface Mount Kit)

### Flange Mount Kit



P10314 MT-1X4FMBOX  
(1'x4' Flange Mount Kit)



P10228 MT-2X2FMBOX  
(2'x2' Flange Mount Kit)



P10229 MT-2x4FMBOX  
(2'x4' Flange Mount Kit)

### Ceiling Mount Kit (3.0" Height)



P10416 MT-1X4BOX-3.0in  
(1'x4' Panel Surface Mount Kit-3.0"height)



P10417 MT-2X2BOX-3.0in  
(2'x2' Panel Surface Mount Kit-3.0"height)



P10418 MT-2X4BOX-3.0in  
(2'x4' Panel Surface Mount Kit-3.0"height)

### LED Panel Emergency Driver (Back-Lit) 120-277V



K7338333 FXPNL-BAEM-MT1FT-BLP/347  
(Emergency backup driver mount KIT for 1'x4')



7338 BAEM8L-60BC/347-A  
(Emergency backup driver for 2'x2' & 2'x4')

### Micro Inverter 120-347V



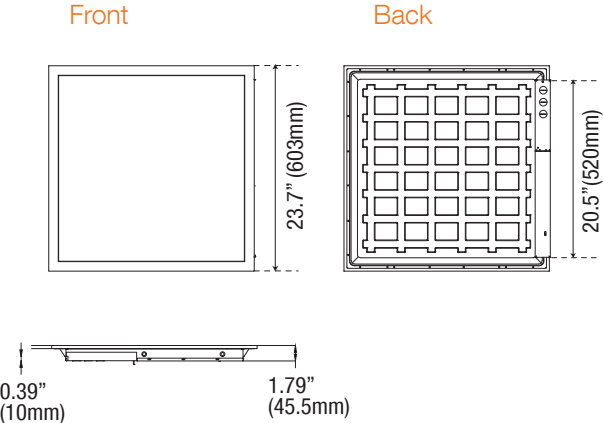
7337 BAEM25-170BC/347-C  
(25W Micro Inverter 120-347 w/12" Conduit)  
[Field Installation](#)

# BACK-LIT FLAT PANEL CCT3

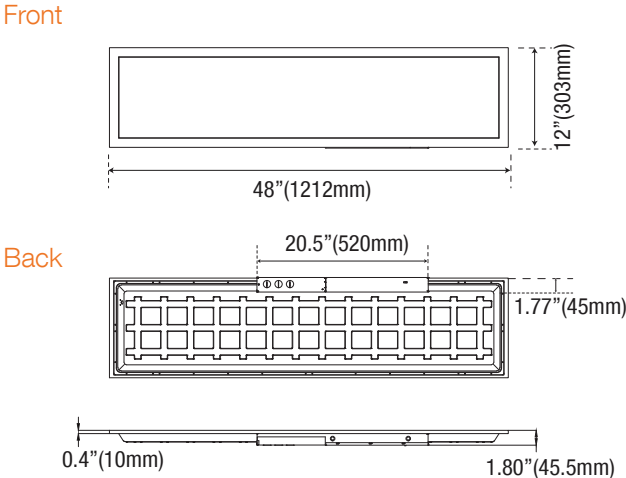
CEILING & AREA LUMINAIRES

## DIMENSIONS

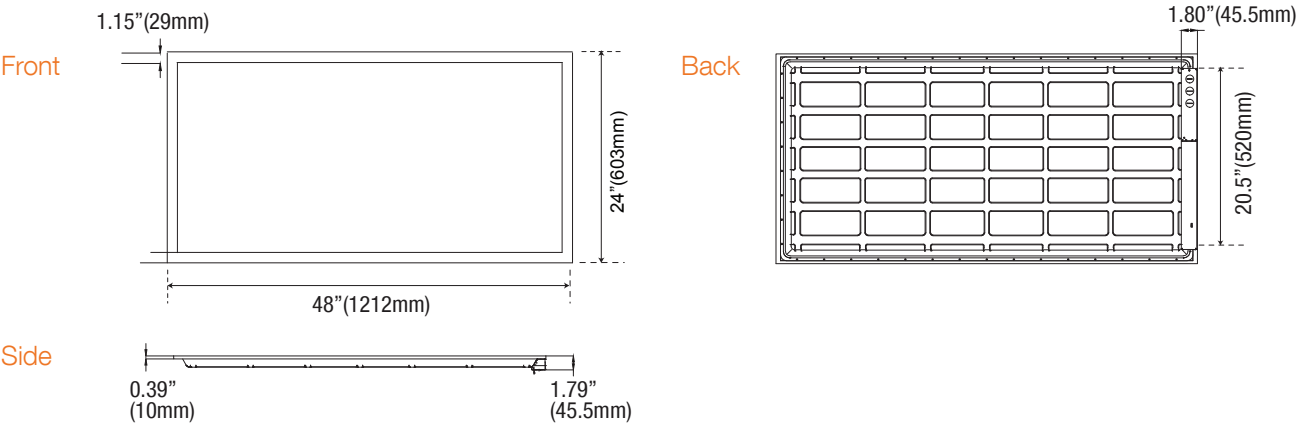
### 2'x 2'



### 1'x 4'



### 2'x 4'



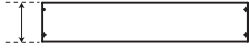
# BACK-LIT FLAT PANEL CCT3

## CEILING & AREA LUMINAIRES

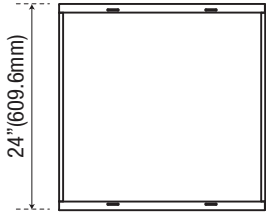
### CEILING MOUNT KIT (4.5-inch)

**2'x 2'**

4.52" (114.8mm)

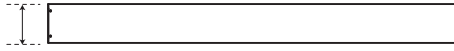


24" (609.6mm)

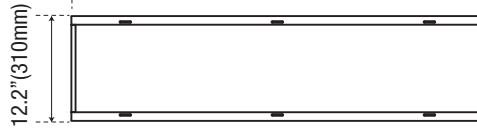


**1'x 4'**

4.52" (114.8mm)

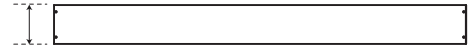


48.03" (1220mm)

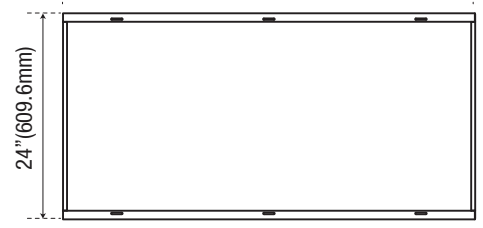


**2'x 4'**

4.52" (114.8mm)



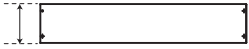
48.03" (1220mm)



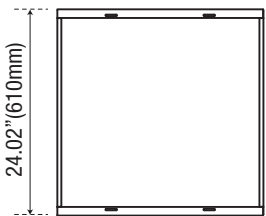
### CEILING MOUNT KIT (3.0-inch)

**2'x 2'**

2.95" (75mm)



24.02" (610mm)

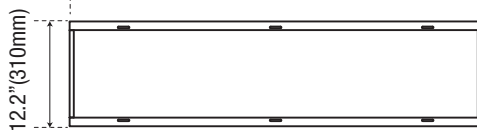


**1'x 4'**

2.95" (75mm)



48.0" (1220mm)

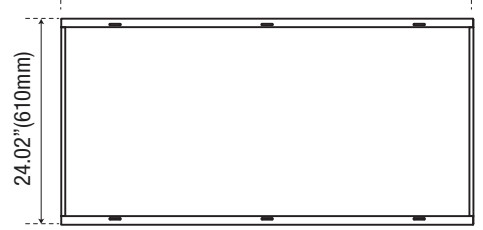


**2'x 4'**

2.95" (75mm)

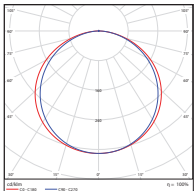


48.0" (1220mm)



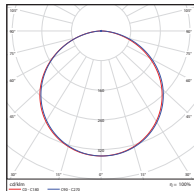
### PHOTOMETRICS CHART

**40 Watt - 1'x4'**  
DLC Standard



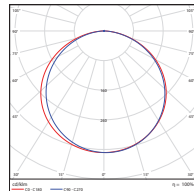
Center beam ft.	Beam width	
1.0'	5.0'	5.0'
1.5'	7.5'	7.5'
2.0'	10.0'	10.0'
2.5'	12.5'	12.5'
3.0'	15.0'	15.0'
3.5'	17.5'	17.5'
4.0'	20.0'	20.0'
4.5'	22.5'	22.5'
5.0'	25.0'	25.0'
5.5'	27.5'	27.5'
6.0'	30.0'	30.0'
6.5'	32.5'	32.5'
7.0'	35.0'	35.0'
7.5'	37.5'	37.5'
8.0'	40.0'	40.0'
8.5'	42.5'	42.5'
9.0'	45.0'	45.0'
9.5'	47.5'	47.5'
10.0'	50.0'	50.0'

**40 Watt - 2'x2'**  
DLC Standard



Center beam ft.	Beam width	
1.0'	5.4'	5.4'
1.5'	8.1'	8.1'
2.0'	10.8'	10.8'
2.5'	13.5'	13.5'
3.0'	16.2'	16.2'
3.5'	18.9'	18.9'
4.0'	21.6'	21.6'
4.5'	24.3'	24.3'
5.0'	27.0'	27.0'
5.5'	29.7'	29.7'
6.0'	32.4'	32.4'
6.5'	35.1'	35.1'
7.0'	37.8'	37.8'
7.5'	40.5'	40.5'
8.0'	43.2'	43.2'
8.5'	45.9'	45.9'
9.0'	48.6'	48.6'
9.5'	51.3'	51.3'
10.0'	54.0'	54.0'

**50 Watt - 2'x4'**  
DLC Standard



Center beam ft.	Beam width	
1.0'	5.6'	5.6'
1.5'	8.4'	8.4'
2.0'	11.2'	11.2'
2.5'	14.0'	14.0'
3.0'	16.8'	16.8'
3.5'	19.6'	19.6'
4.0'	22.4'	22.4'
4.5'	25.2'	25.2'
5.0'	28.0'	28.0'
5.5'	30.8'	30.8'
6.0'	33.6'	33.6'
6.5'	36.4'	36.4'
7.0'	39.2'	39.2'
7.5'	42.0'	42.0'
8.0'	44.8'	44.8'
8.5'	47.6'	47.6'
9.0'	50.4'	50.4'
9.5'	53.2'	53.2'
10.0'	56.0'	56.0'

### PACKAGE

Case Qty 2 pcs

