

RTF RETROFIT TROFFER (SW&CCT3)

PROJECT: _____

SCHEDULE: _____ DATE: _____

PREPARE BY: _____

NOTES: _____

DESCRIPTION

naturaLED® Retrofit Troffer has a narrow edge which is the perfect solution for your interior lighting needs. The troffers come in 2'x2' and 2'x4' for Tbar/Grid ceilings and are designed for easy installation and maximum energy savings. The mounting can fit for both 1" and 9/16" T-bar grids. All troffers are available in DLC with 3 selectable wattages and 3 selectable color temperature (3500K,4000K,5000K).



APPLICATIONS

Conference, Meeting Rooms, Factories, Offices, Schools, Hospitals



Rated Life Hours 50,000
Warranty 5 Years

FEATURES

- DLC Premium
- Damp Location
- Selectable Wattages
- Selectable Color Temp: 3CCT (3500K,4000K,5000K)
- Voltage: 120-277V
- Power Factor: >0.9
- Surge Protection: 2.5KV
- Beam Angle: 110°
- Dimmable: 0-10V (dim-to-off)
- CRI: >80
- Operating temperature: - 4°F - 104°F
- Easy installation for retrofit replacement
- Available in 2' or 4' length
- Material: Steel and PMMA lens
- 5Year Warranty

Retrofit Troffer designed for T-Bar Grid ceilings with easy installation



Old Version	New Version
PC Lens	PMMA Lens
Wide Edge	Narrow Edge
Height: 61mm*	Height: 54mm*

VS.

*height measurement excludes accessories

SAMPLE NUMBER FXRTF25SW/2x2/8CCT3

FAMILY	SERIES	WATTAGE	LENGTH	CRI	COLOR TEMP
FX Fixture	RTF Retrofit Troffer	25SW Selectable Wattages <25W	2x2 2-ft x 2-ft	8 CRI 80	CCT3 Selectable Color Temp (3500K,4000K,5000K)



RETROFIT TROFFER (SW & CCT3)

CEILING & AREA LUMINAIRES

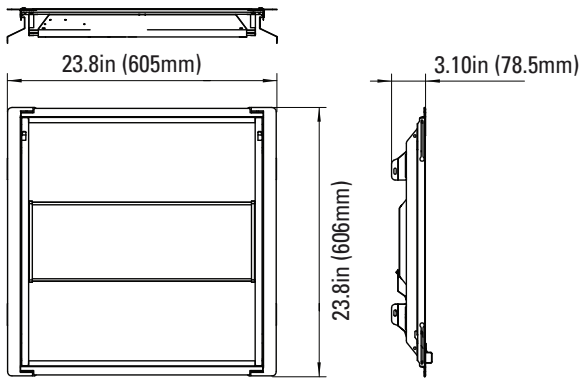
ORDERING

*P= Premium DLC / *S = Standard DLC

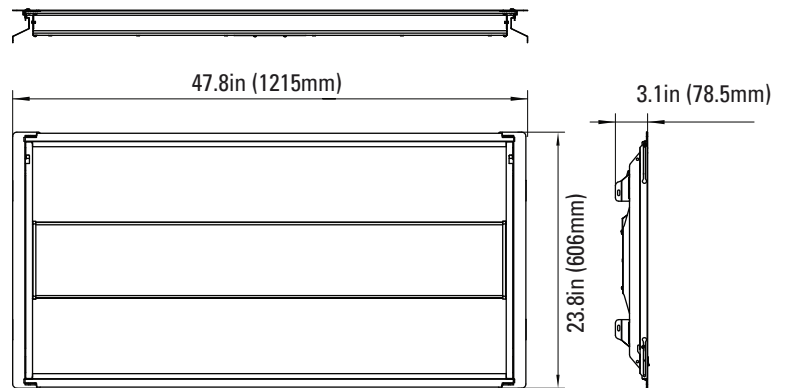
Watts (W)	Ordering Code	Description	CCT (K)	Lumens (Lm)	Size	Equiv. Wattage (W)	Damp Location	DLC (S/P)
16	9213	FXRTF25SW/2X2/8CCT3	3CCT	2,000	2'x2'	60-70	•	P
20			(35/40/50K)	2,500				
25				3,125				
18	9214	FXRTF27SW/2X4/8CCT3	3CCT	2,610	2'x4'	90-100	•	P
22			(35/40/50K)	3,190				
27				3,900				
34	9215	FXRTF50SW/2X4/8CCT3	3CCT	4,250	2'x4'	120-130	•	P
42			(35/40/50K)	5,250				
50				6,520				

DIMENSIONS

2'x2'
8.66-lbs

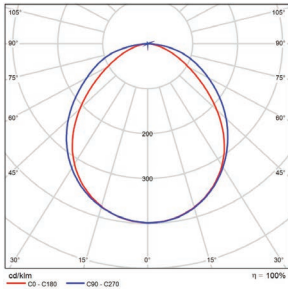


2'x4'
14.02-lbs



PHOTOMETRICS CHART

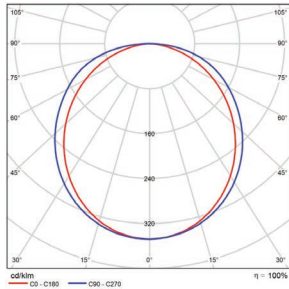
Selectable Wattages - 2'x2'
DLC Premium



	Center Beam fc	Beam Width	
2.5R	200 fc	5.5 ft	6.7 ft
5.0R	49.9 fc	10.9 ft	13.4 ft
7.5R	22.2 fc	16.4 ft	20.1 ft
10.0R	12.5 fc	21.9 ft	26.8 ft
12.5R	7.98 fc	27.3 ft	33.6 ft
15.0R	5.54 fc	32.8 ft	40.3 ft

■ Vert. Spread: 95.1°
■ Horiz. Spread: 106.6°

Selectable Wattages - 2'x4'
DLC Premium



	Center Beam fc	Beam Width	
2.5R	231 fc	6.5 ft	8.2 ft
5.0R	57.8 fc	13.1 ft	16.5 ft
7.5R	25.7 fc	19.6 ft	24.7 ft
10.0R	14.5 fc	26.2 ft	32.9 ft
12.5R	9.25 fc	32.7 ft	41.2 ft
15.0R	6.42 fc	39.3 ft	49.4 ft

■ Vert. Spread: 105.2°
■ Horiz. Spread: 117.5°

INSTALLATION

- Remove existing hardware
- Remove ballast
- Install Troffer Retrofit end brackets to each end
- Slide Troffer into the slot
- Ensure the installation is secure
- Secure door body by locking the latches

* Please refer to LED Retrofit Troffer Installation Guide

PACKAGE

Case Qty 2 pcs

