

TL TEMPORARY WORK LIGHT

DESCRIPTION

naturaLED® offers our newest temporary work light providing high performance, long lifespan and energy savings for illuminating large industrial, construction and outdoor areas. It is a great replacement or upgrade choice for existing HID, Metal Halide, CFL work light. It is designed to combine the professional brightness intensity of industry-graded high bay fixtures with the convenience of a portable work light. This product is the perfect choice for temporary lighting on new and existing construction sites, short-term maintenance tasks, and warehouses, factories and workshops, highway toll stations, gas stations, exhibition halls.

APPLICATIONS

Site, garage, high baya ceiling, commercial work areas, warehouse, factory, workshop lighting

FEATURES

- IP64 Rated
- UL Listed
- 320° Omni-directional lighting
- 110lm/W ultra-high efficiency delivers superior performance
- Includes 15' power cord with plug and mounting hook
- Instant on
- Suitable for Damp locations
- Built-in connector, outlet for connecting multiple temp lights
- Base up, base down or horizontal operation
- Strong and durable stainless steel lamp guard and hook
- Input line voltage: 120V
- Surge protection: 6KV
- Power Factor >0.9
- CRI: 80
- Voltage Frequency: 50/60Hz
- Operating temperature: - 40°F - 113°F
- 50,000 hours rated average life

PROJECT:

SCHEDULE:

DATE:

PREPARE BY:

NOTES:



included 15ft power cord

Rated Life 50,000 Hours
Warranty 5 Years

SAMPLE NUMBER		LED60TL/FR66/850		
STYLE	WATTAGE	SERIES	WATTAGE	CRI/COLOR TEMP
LED	60	TL	FR66	850
LED Lighting	60 Watt	Temp Lights	Frosted 6,600 Lumens	CRI 80 5000K



TEMPORARY WORK LIGHT

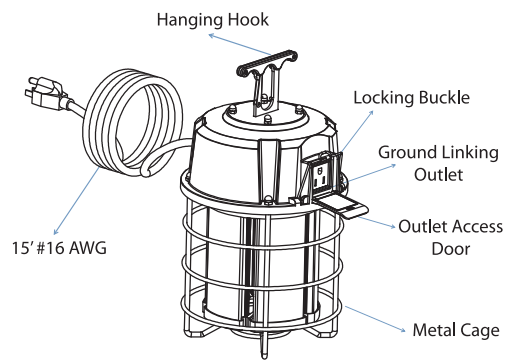
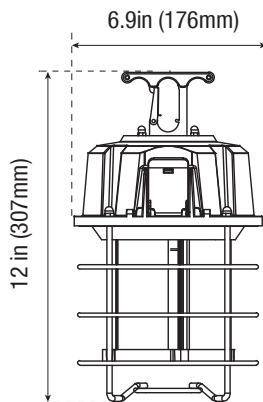
PORTABLE AREA LUMINAIRES

ORDERING

Watts (W)	Ordering Code	Description	CCT (K)	Lumens (Lm)	Equiv. Wattage (W)	Color	IP64 Rated
60	4555	LED60TL/FR66/850	5000K	6,600	250	Yellow	•

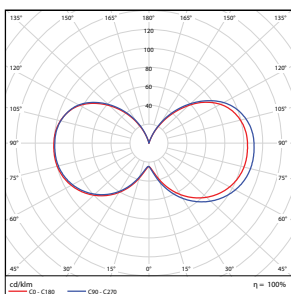
DIMENSIONS

60W
3.75-lbs



PHOTOMETRICS CHART

60 Watt



Center Beam fc	Beam Width
2.5R	28.5 fc / 57.2 ft
5.0R	7.13 fc / 114.3 ft
7.5R	3.17 fc / 171.5 ft
10.0R	1.78 fc / 228.6 ft
12.5R	1.14 fc / 285.8 ft
15.0R	0.79 fc / 342.9 ft

■ Beam Spread: 170.0°

PACKAGE

Case Qty 1 pc

