

**FIL FILAMENT HID**

PROJECT: \_\_\_\_\_

SCHEDULE: \_\_\_\_\_ DATE: \_\_\_\_\_

PREPARE BY: \_\_\_\_\_

NOTES: \_\_\_\_\_

**DESCRIPTION**

naturaLED® High Lumen Filament LED lamps replicate the traditional design of HID Metal Halide and High Pressure Sodium lamps while providing significant energy savings. Unlike Corn Cob Style LED Lamp, naturaLED® High Lumen Filament LED Lamps contain LED filament rods that are powered by using a glass insulated circuit, similar to traditional lamps. Our filament HID replacement lamps come in the traditional ED23, ED28, and ED37 shapes, perfect upgrade option for commercial applications including post tops, bollards, high bays and wall packs. The lamps are Ballast Bypass, Enclosed Fixture Rated, with 360° Omni Directional with Highest LPW (200LPW) backed by the best 5 year warranty in the market.



**Rated Life Hours 35,000**  
**Warranty 5 Years**

**APPLICATIONS**

Warehouses, Parking Structures, Large Retail Facilities, Large Public Area, Pathways, Industrial Lighting

Ballast must be Bypassed. Line Voltage Only.

**FEATURES**

- ETL, cETL Listed
- DOE Qualified
- 200LPW
- Color Temp: 3000K, 4000K, 5000K
- Highest 200LPW (lumens per watt)
- Voltage: 120-277V
- Power Factor: >0.9
- CRI: >80
- Surge Protection: 2KV
- Operating temperature: -4°F - 113°F
- Instant on / Uniform and consistent color
- Up to 70% energy savings
- Beam Angle: 360°
- Direct Replacement traditional HID Metal Halide
- Material : Glass
- 5 Year Warranty
- 35,000 hrs rated average life

**ACCESSORIES**



**SAMPLE NUMBER LED20FHID/ED23.5/EX39/830**

STYLE	WATTAGE	SERIES	SHAPE	BASE	CRI	COLOR TEMP
LED	20	FHID	ED23.5	EX39	8	30
LED Lighting	20 Watt	Filament HID	ED23.5 ED28 ED37	EX39	320+ Lumens	CRI 90 2200K



### ORDERING

Watts (W)	Ordering Code	Description	CCT (K)	Lumens (Lm)	Base	Equiv. Wattage (W)	LPW
20	<b>4620</b>	LED20FHID/ED23.5/EX39/830	3000K	4,000	EX39	75	200/LPW
20	<b>4621</b>	LED20FHID/ED23.5/EX39/840	4000K	4,000	EX39	75	200/LPW
20	<b>4622</b>	LED20FHID/ED23.5/EX39/850	5000K	4,000	EX39	75	200/LPW
25	<b>4623</b>	LED25FHID/ED28/EX39/830	3000K	5,000	EX39	100	200/LPW
25	<b>4624</b>	LED25FHID/ED28/EX39/840	4000K	5,000	EX39	100	200/LPW
25	<b>4625</b>	LED25FHID/ED28/EX39/850	5000K	5,000	EX39	100	200/LPW
30	<b>4626</b>	LED30FHID/ED28/EX39/830	3000K	6,000	EX39	150	200/LPW
30	<b>4627</b>	LED30FHID/ED28/EX39/840	4000K	6,000	EX39	150	200/LPW
30	<b>4628</b>	LED30FHID/ED28/EX39/850	5000K	6,000	EX39	150	200/LPW
40	<b>4629</b>	LED40FHID/ED28/EX39/840	4000K	8,000	EX39	250	200/LPW
40	<b>4630</b>	LED40FHID/ED28/EX39/850	5000K	8,000	EX39	250	200/LPW
40	<b>4631</b>	LED40FHID/ED28C/EX39/840	4000K	8,000	EX39	250	200/LPW
40	<b>4632</b>	LED40FHID/ED28C/EX39/850	5000K	8,000	EX39	250	200/LPW
55	<b>4633</b>	LED55FHID/ED37/EX39/840	4000K	11,000	EX39	400	200/LPW
55	<b>4634</b>	LED55FHID/ED37/EX39/850	5000K	11,000	EX39	400	200/LPW

### ACCESSORIES



#### Adapter E26 to EX39 Lamp

P10544 ADP-E26-EX39

(Adapter for E26 Socket to E39/EX39 Lamp)

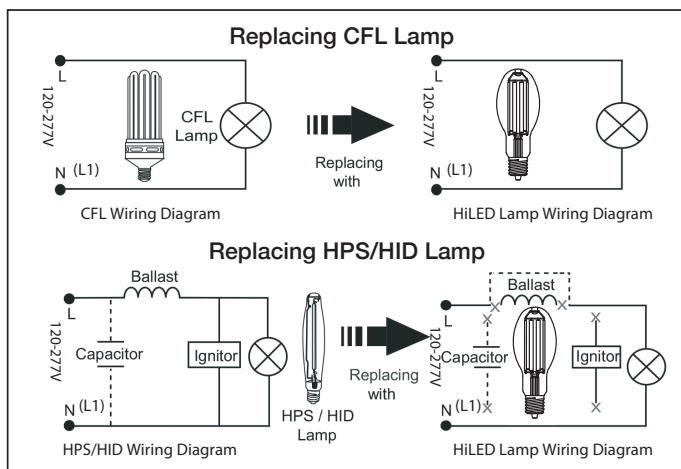


#### Adapter EX39 to E26 Lamp

P10545 ADP-EX39-E26

(Adapter for E39/EX39 Socket to E26 Lamp)

### WIRING DIAGRAM



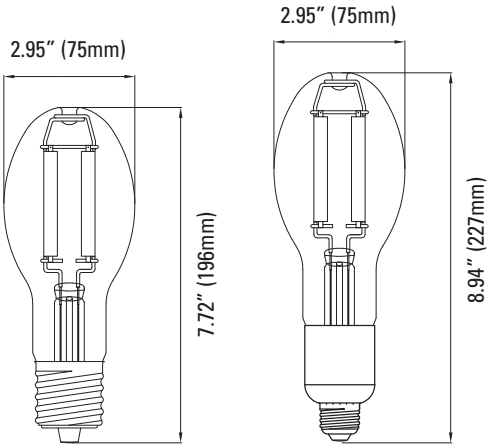
**Ballast must be Bypassed. Line Voltage Only.**

### LAMP COMPARTMENT DIMENSION

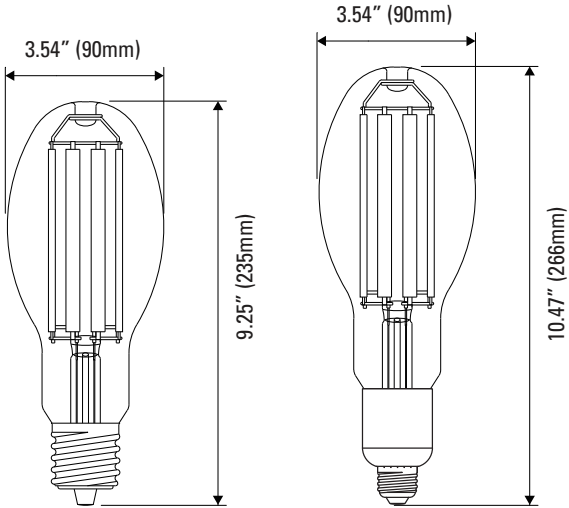
Model No.	Type of Recessed Luminaires and Min. Lamp Compartment Dimension
<b>ED23.5 (20W)</b>	8.50" x 6.02" x 6.02" (216mmX153mmX153mm)
<b>ED28 (25/30/40/45W)</b>	14.00" x 8.03" x 8.03" (356mmX204mmX204mm)
<b>ED37 (45/55/65W)</b>	15.35" x 16.53" x 7.48" (390mmX420mmX190mm)
<b>ED37 (85W)</b>	13.74" x 16.97" x 16.97" (349mmX431mmX431mm)

**DIMENSIONS**

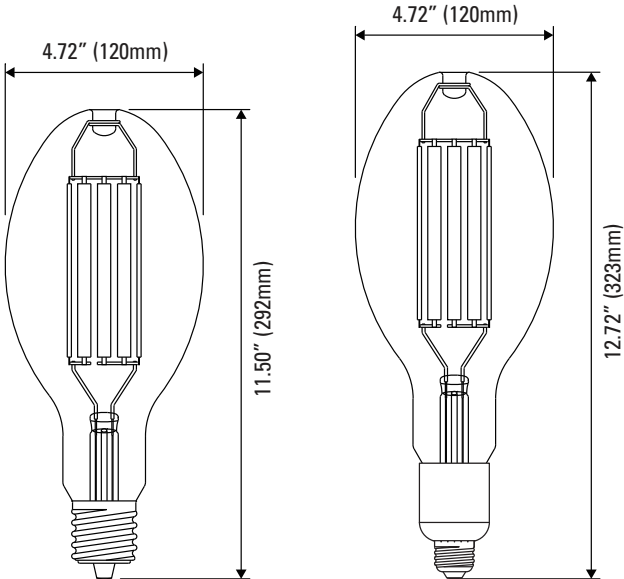
**E23.5 Lamp**  
20 Watt: 0.37-lbs



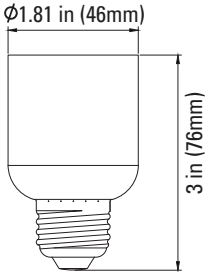
**E28 Lamp**  
25 Watt: 0.37-lbs  
30 Watt: 0.44-lbs  
40 Watt: 0.46-lbs



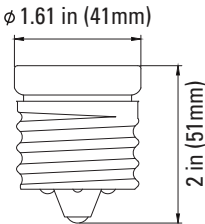
**E37 Lamp**  
55 Watt: 0.62-lbs



**P10544 ADP-E26-EX39**



**P10545 ADP-EX39-E26**



**PACKAGE**

Case Qty 10 pcs

