

HBL LINEAR HIGHBAY

PROJECT: _____

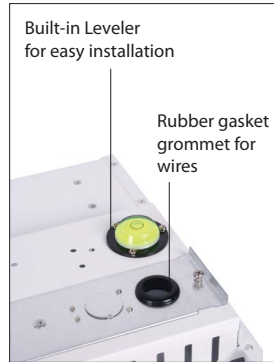
SCHEDULE: _____ DATE: _____

PREPARE BY: _____

NOTES: _____

DESCRIPTION

naturaLED® offers the perfect solution for your lighting needs with our Linear High/Low Bay. This new design allows us to optimize all the beneficial characteristics of LED light in a high-performance fixture that will endure many years of service. These Linear High Bays are extremely durable, yet lightweight, with excellent thermal design. They are available in a variety of wattages, delivering up to 42,441 lumens of consistent color and light distribution. Chain with a lock link is included for mounting. Yoke and Pendant Mounts are available as option at additional cost. our HBL makes an excellent fixture for new construction and/or as a replacement solution for your existing High/Low Bays needs.



Rated Life 50,000 Hours
Warranty 5 Year Limited*

APPLICATIONS

Warehouses, Offices, Factories, Hospitals, Hotels

FEATURES

- DLC Premium
- Damp Location
- ETL Listed
- Built-in leveler
- Minimum glare with diffused polycarbonate lens
- Color Temp: 4000K, 5000K
- Dimmable: 0-10V
- Input line voltage: 120-277V, 120-347V
- CRI: 80
- Powerfactor >0.9
- Surge Protection: 4KV
- Dimensions: 16"x22", 16"x44"
- Operating temperature: - 22°F - 122°F
- 5 Year Limited Warranty*
- Finish: White
- Optional for Purchase: Emergency Driver, Motion Sensor, Wireless Controller, Yoke Mount, Pendant Mount, Wireguard

ACCESSORIES

-  Emergency Driver
-  Bluetooth Controller
-  Motion Sensor
-  Wire Guard
-  Yoke Mount
-  Pendant Mount
-  Surge Protector

SAMPLE NUMBER FXHBL100/22FR/840/347

FAMILY	SERIES	WATTAGE	Length	Lens	CR/COLOR TEMP	VOLTAGE
FX	HBL	100	22	FR	840	347
Fixture	High Bay Linear	100 Watt	22- 22inch 44- 44inch	Frosted	CRI 80 4000K	347V (none) 120-277V



*Extended 10 year limited warranty available. Contact your sales rep for more information

LINEAR HIGHBAY

CEILING & AREA LUMINAIRES

ORDERING

*P= Premium DLC / *S = Standard DLC

	Watts (W)	Ordering Code	Description	CCT (K)	Lumens (Lm)	Equiv. Wattage (W)	Length	Voltage	DLC (S/P)
120-277V	100	9476	FXHBL100/22FR/840	4000K	13,736	400	16 x 22"	120-277	P
	100	9477	FXHBL100/22FR/850	5000K	14,093	400	16 x 22"	120-277	P
	150	9478	FXHBL150/22FR/840	4000K	20,702	400-575	16 x 22"	120-277	P
	150	9479	FXHBL150/22FR/850	5000K	21,240	400-575	16 x 22"	120-277	P
	150	9500	FXHBL150/44FR/840	4000K	20,632	400-575	16 x 44"	120-277	P
	150	9501	FXHBL150/44FR/850	5000K	21,127	400-575	16 x 44"	120-277	P
	210	9480	FXHBL210/22FR/840	4000K	27,622	575-1000	16 x 22"	120-277	P
	210	9481	FXHBL210/22FR/850	5000K	28,257	575-1000	16 x 22"	120-277	P
	210	9502	FXHBL210/44FR/840	4000K	27,698	575-1000	16 x 44"	120-277	P
	210	9503	FXHBL210/44FR/850	5000K	28,418	575-1000	16 x 44"	120-277	P
	300	9483	FXHBL300/44FR/850	5000K	42,441	1000-1250	16 x 44"	120-277	P
120-347V	100	9484	FXHBL100/22FR/840/347	4000K	13,428	400	16 x 22"	120-347	P
	100	9485	FXHBL100/22FR/850/347	5000K	13,777	400	16 x 22"	120-347	P
	150	9486	FXHBL150/22FR/840/347	4000K	20,238	400-575	16 x 22"	120-347	P
	150	9487	FXHBL150/22FR/850/347	5000K	20,764	400-575	16 x 22"	120-347	P
	210	9488	FXHBL210/22FR/840/347	4000K	27,778	575-1000	16 x 22"	120-347	P
	210	9489	FXHBL210/22FR/850/347	5000K	28,445	575-1000	16 x 22"	120-347	P
	300	9491	FXHBL300/44FR/850/347	5000K	41,490	1000-1250	16 x 44"	120-347	P

ACCESSORIES (Ordered Separately)



Emergency Driver
7334 BAEM15-48BC/MV-A
(15W LED Emergency Driver
120-277V)



7337 BAEM25-170BC/347-C
(25W Micro Inverter 120-347V
with 12" Conduit)



Bluetooth Controller
P10341 CTL-AVI-2110UFL
(12V Bluetooth Adapter)



P10344 CTL-2402BAT
(Wall Switch Bluetooth 1-4 Battery Version)



P10345 CTL-2401AC
(Wall Switch Bluetooth 1-4 AC Version)



P10346 CTL-AVI-SEN-IARH-24-BLE
(12V Bluetooth Sensor)



Motion & Photocell Sensors
P10316 SEN-BRI-RC100
(Remote Programmer for P10371)



P10371 SEN-BRI619
(Recommended Height up to 40-ft)
(Remote/Dipswitch Programmable PIR Motion Sensor
0-10V Bi-Level Internal 12V-24V 2X Area Lens)



Sensor Aisle Lens (Recommended Height up to 30-ft)
P10086 SEN-LOS-509-SFG
(PIR Motion Sensor On-Off Internal 100-277V Aisle Lens)



Sensor Area Lens (Recommended Height up to 30-ft)
P10087 SEN-LOS-509-SFC
(PIR Motion Sensor On-Off Internal 100-277V 3X Area Lens)



Remote Programmer
P10164 SEN-SRP280
(Remote Programmer for Sensor P10162 and P10163)



Sensor Aisle Lens (Recommended Height up to 30-ft)
P10162 SEN-LRD-509-SFG
(Remote Programmable PIR Motion Sensor
0-10V Bi-Level Internal 120-277V Aisle Lens)



Sensor Area Lens (Recommended Height up to 30-ft)
P10163 SEN-LRD-509-SFC
(Remote Programmable PIR Motion Sensor
0-10V Bi-Level Internal 120-277V 3X Area Lens)



Wire Guard
P10094 WG-HBL22/WH
(Wire guard 16"x22")

P10095 WG-HBL44/WH
(Wire guard 16"x44")



Yoke Mount
P10092 MT-YK-HBL22
(Yoke Mount 16"x22")

P10093 MT-YK-HBL44
(Yoke Mount 16"x44")



Pendant Mount (3/4" NPT)
P10396 ADP-PM-HBL/WH



Surge Protector
P10389 SPD-L-10KV-277
(Surge Protection 10KV 120-277V)



P10390 SPD-L-20KV-277
(Surge Protection 20KV 120-277V)



P10391 SPD-L-20KV-480
(Surge Protection 20KV 347-480V)



Remote Programmer
P10259 SEN-ON-SRP281
(Remote Programmer for Linkable Sensor
P10256, P10257)



Remote Wall Switch Linkable Sensor
P10260 SWCH-ON-PBD-705
(Remote Programmer Wall Switch for
Linkable Sensor P10256, P10257)



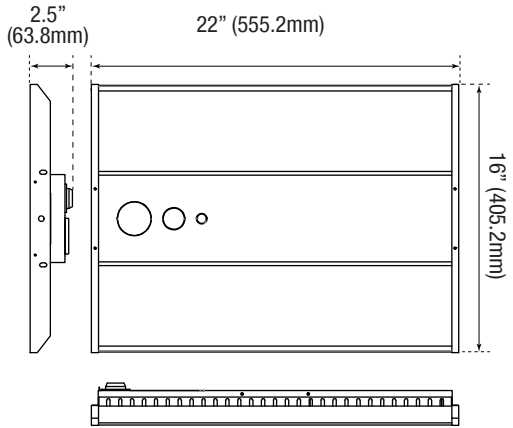
Sensor Aisle Lens (Recommended Height up to 30-ft)
P10256 SEN-ON-LRD-509-SFG
(Remote Programmable PIR Linkable Sensor
0-10V Bi-Level Internal 120-277V Aisle Lens)



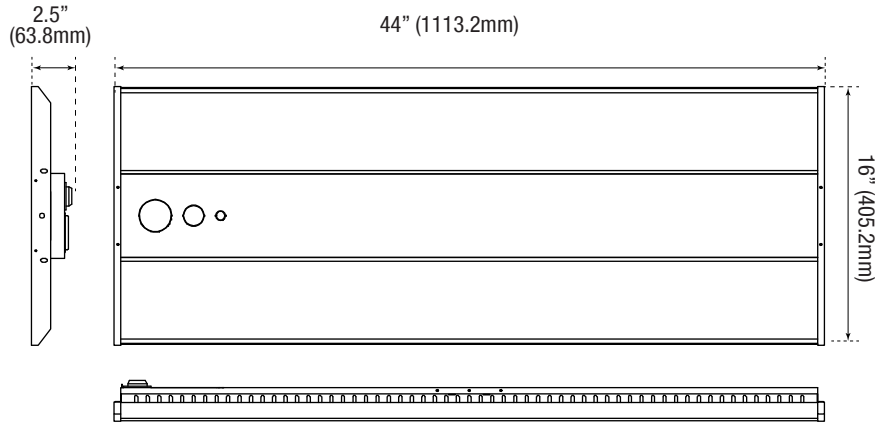
Sensor Area Lens (Recommended Height up to 30-ft)
P10257 SEN-ON-LRD-509-SFC
(Remote Programmable PIR Linkable Sensor
0-10V Bi-Level Internal 120-277V 3X Area Lens)

DIMENSIONS

100W 10.03-lbs
150W 10.03-lbs
210W 10.03-lbs

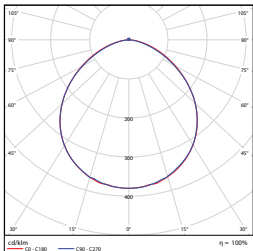


150W 17.77-lbs
210W 17.77-lbs
300W 17.77-lbs



PHOTOMETRICS CHART

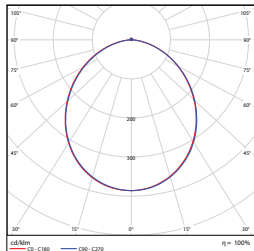
100 Watt
DLC Premium



Center Beam fc	Beam Width	
4.3ft	282 fc	11.4 ft 11.4 ft
8.7ft	68.9 fc	23.1 ft 23.1 ft
13.0ft	30.9 fc	34.5 ft 34.5 ft
17.3ft	17.4 fc	46.0 ft 45.9 ft
21.7ft	11.1 fc	57.6 ft 57.6 ft
26.0ft	7.72 fc	69.1 ft 69.0 ft

■ Vert. Spread: 106.1°
■ Horiz. Spread: 106.0°

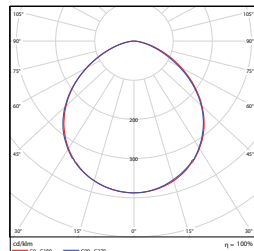
150 Watt
DLC Premium



Center Beam fc	Beam Width	
4.3ft	432 fc	10.8 ft 10.8 ft
8.7ft	106 fc	21.9 ft 21.8 ft
13.0ft	47.3 fc	32.7 ft 32.6 ft
17.3ft	26.7 fc	43.5 ft 43.4 ft
21.7ft	17.0 fc	54.6 ft 54.5 ft
26.0ft	11.8 fc	65.4 ft 65.3 ft

■ Vert. Spread: 103.0°
■ Horiz. Spread: 102.9°

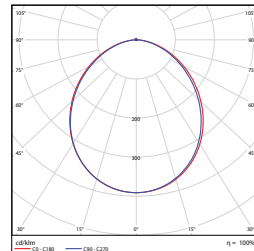
210 Watt
DLC Premium



Center Beam fc	Beam Width	
4.3ft	579 fc	11.4 ft 11.4 ft
8.7ft	141 fc	23.2 ft 23.0 ft
13.0ft	63.3 fc	34.6 ft 34.4 ft
17.3ft	35.8 fc	46.0 ft 45.8 ft
21.7ft	22.7 fc	57.8 ft 57.4 ft
26.0ft	15.8 fc	69.2 ft 68.8 ft

■ Vert. Spread: 106.2°
■ Horiz. Spread: 105.9°

300 Watt
DLC Premium



Center Beam fc	Beam Width	
4.3ft	875 fc	10.8 ft 10.4 ft
8.7ft	214 fc	21.9 ft 21.0 ft
13.0ft	95.7 fc	32.8 ft 31.3 ft
17.3ft	54.0 fc	43.6 ft 41.7 ft
21.7ft	34.4 fc	54.7 ft 52.3 ft
26.0ft	23.9 fc	65.5 ft 62.7 ft

■ Vert. Spread: 103.1°
■ Horiz. Spread: 100.7°

PACKAGE

Case Qty 1 pc

